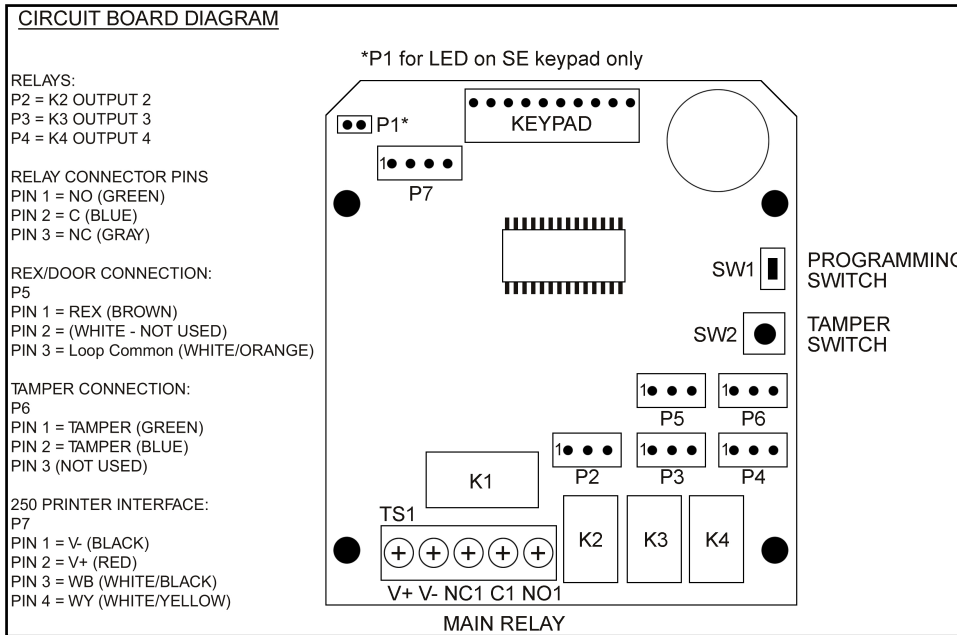


# DOOR-GARD COMMAND AND CONTROL SERIES

## 212R, 212iLR, 212SE and 212iLSE Wiring Diagrams and Specifications



## SPECIFICATIONS

Case Dimensions:

R Keypad: 3.75"W x 5.25"H x 2.50" D

SE Keypad: 3.00"W x 4.50"H x 1.55"D

Operating Voltage: 12-24V AC/DC (Auto-Adjusting)

Max Current Draw:	Voltage	212R/SE	212iLR/iLSE
	12VDC	50mA	84mA
	24VDC	63mA	115mA
	12VAC	86mA	128mA
	24VAC	108mA	161mA

Main Relay Contacts (K1): 2A @ 12-24VAC/DC

Auxiliary Relay Contacts (K2, K3 & K4): 1A @ 12-24VAC/DC

Environment: Indoor or Outdoor

Temperature: 212R/212SE: -31°F to 151°F (-35°C to 66°C)

212iLR/212iLSE: -4°F to 140°F (-20°C to 60°C)

## TECHNICAL NOTES

- To avoid ESD (Electro-Static Discharge) interfering with the operation of the keypad, ground the housing to earth ground.
- The bi-color LED provided with the SE keypad illuminates red when the Lock-Release relay is de-energized and green when the relay is de-energized.
- When mounting this unit outside, apply silicone to the area where the wires enter the case. This helps prevent water from entering the case and condensing on the circuit board. Do not silicone the cover plate because the unit will not seal properly.
- Do not seal the drain holes at the bottom of the keypad housing. This allows air to circulate and a place for condensation to drain.
- For use in extreme weather conditions, consult the factory for additional methods of protecting your keypad.
- To speed installation of the SE keypad, holes have been spotted on the inside the back housing for mounting to a wall or a single-gang electrical box.
- On SE keypad, holes have also been spotted inside the front housing for additional LEDs (LEDs not included).

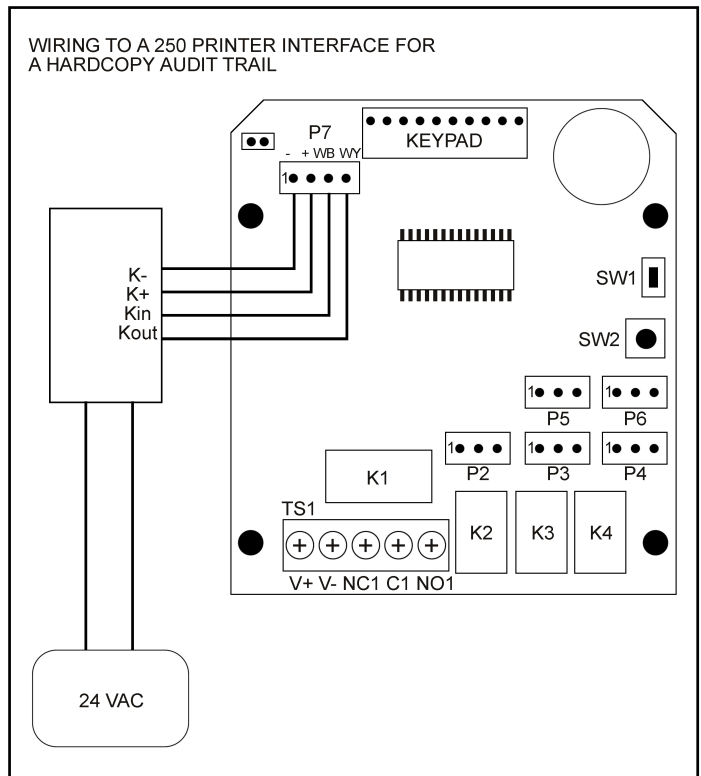
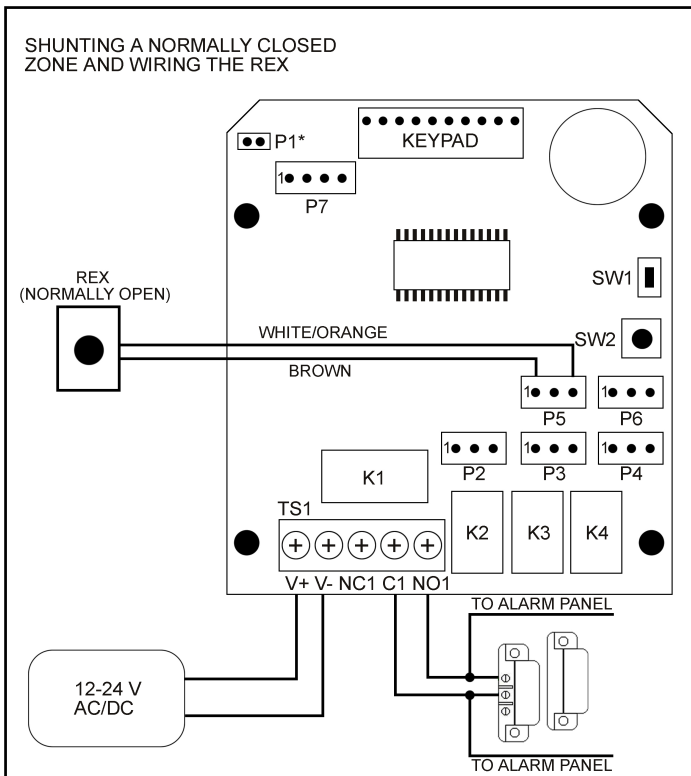
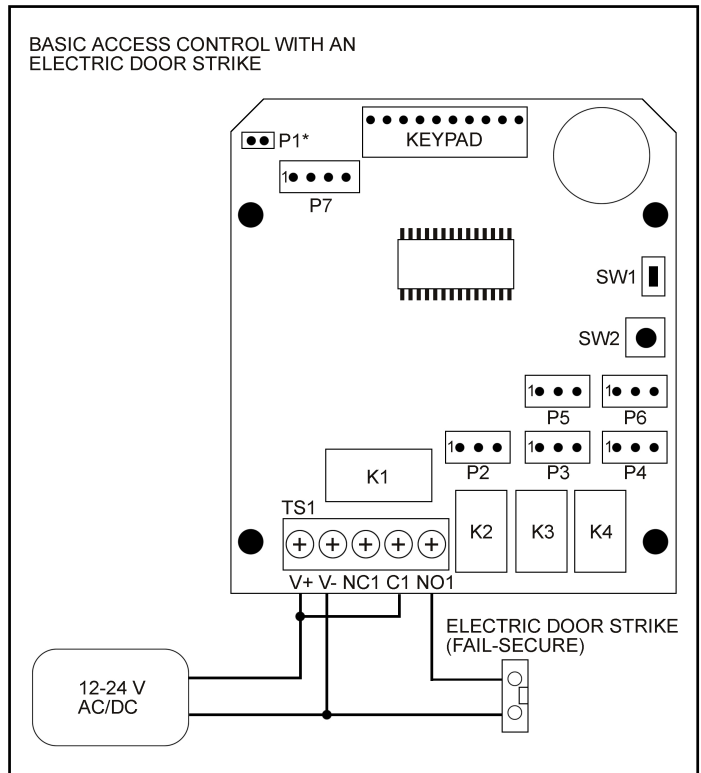
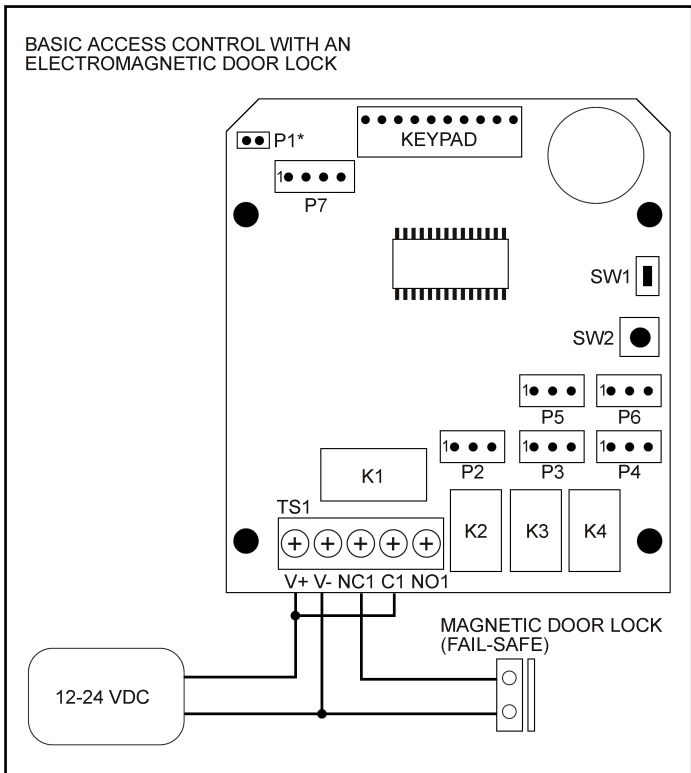
## WARRANTY

International Electronics, Inc. (IEI) warrants its products to be free from defects in material and workmanship, when they have been installed in accordance with the manufacturer's instructions, and have not been modified or tampered with. IEI does not assume any responsibility for damage or injury to person or property due to improper care, storage, handling, abuse, misuse, normal wear and tear, or an act of God.

IEI's sole liability is limited to the repair or (at IEI's option) the replacement of the defective product or part when sent to IEI's facility (freight and insurance charges prepaid), after first obtaining IEI's Return Merchandise Authorization.

IEI will not be liable to the purchaser or anyone else for incidental or consequential damages arising from any defect in, or malfunction of, its products. This warranty shall expire two years after shipping date for DOOR-GARD keypads.

Except as stated above, IEI makes no warranties, either express or implied, as to any matter whatsoever, including, without limitation to, the condition of its products, their merchantability, or fitness for any particular purpose.



INTERNATIONAL ELECTRONICS, INC.  
 427 TURNPIKE STREET, CANTON, MA 02021 U.S.A.  
 800-343-9502, 781-821-5566, 781-821-4443 (FAX)  
 WEB ADDRESS: [www.ieib.com](http://www.ieib.com)